

Oval Connectors For Mining, Tunneling and Industry

STANDARD FEATURES

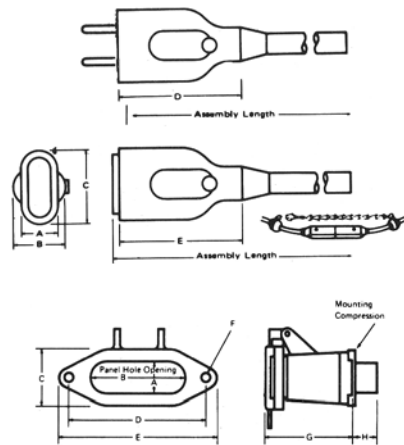
- Water-Tight
- Various Types of Polarization (pin size, reverse ground, pin configuration)
- Various Types of Seal (face seal)
- Wide Range of Size and Styles
- Full Line of Covered Receptacles

PARAMETERS

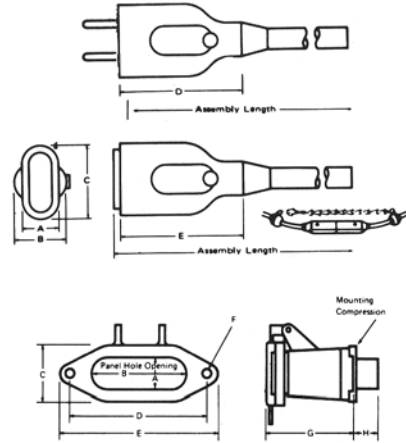
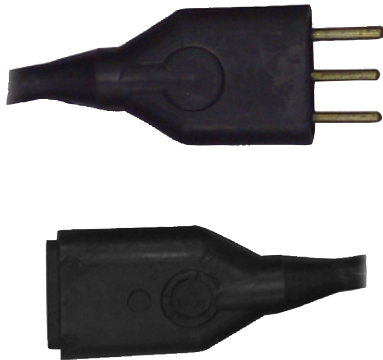
- Two through five contacts
- Number 14 AWG through 2/0 AWG
- Up to 600 volts/95 amps

APPLICATIONS

- Electromagnets
- Steel Mills
- Electromagnet Manufacturers
- Low Voltage Lighting
- Crane Manufacturers
- Shipbuilders
- Contractors
- Run Out Tables
- Motor Connections
- Railroads - Communication Systems
- Mining Applications
- Power Distribution Box Manufacturers



Oval Connectors TWO POLE



DATA

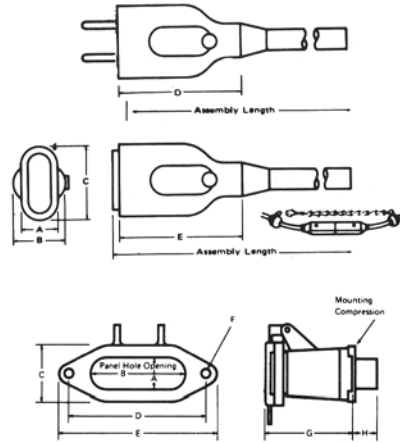
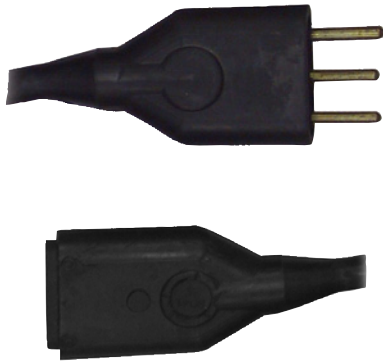
PLUG

RECEPTACLE

No. of Cont.	ELECTRICAL DATA				Description		PART NUMBERS				Assembly Length	DIMENSIONS (Approximate Inches)					PART NUMBERS		DIMENSIONS (Approximate Inches)								
	Cable AWG	Cable TYPE	Max. Cable Rating AMP	Max. Cable Rating VOLTS	Polarized By	Type of Seal	Without Safety Chain		With Safety Chain			A	B	C	D	E	With Covers		A	B	C	D	E	F	G	H	
							Male	Female	Male	Female							Male	Female									
2	14	SO	15	600	Pin Size	Short Male Shroud	8020-3	8020-4	8020-8 8020-134	8020-9 8020-136	16" 10"	7/8	1 1/4	1 3/4	3 1/8	3 1/16	8020-38	8020-34	Term. Back	7/8	1 3/4	1 5/8	3	3 5/8	9/32	2 1/2	3/4
2	14	SO	15	600	Not Pol.	Short Male Shroud	8015-1 8015-135	8015-5	8015-20	8015-21	16" 6"	7/8	1 1/4	1 3/4	3 1/8	3 1/16	8015-32	8015-33	Term. Back	7/8	1 3/4	1 5/8	3	3 5/8	9/32	2 1/2	3/4
2	12	SO	20	600	Pin Size	Short Male Shroud	8021-2	8021-3	8021-122	8021-124	16" 10"	1	1 1/2	2 1/8	4 1/8	4 3/8	8021-32	8021-31	Term. Back	1	2 1/8	1 3/4	3 3/8	4	9/32	3 3/8	5/8
2	10	SO	25	600	Not Pol.	Short Male Shroud	8016-16	8016-17	8016-23 8016-126	8016-6 8016-128	16" 10"	1	1 1/2	2 1/8	4 1/8	4 3/8	8016-44	8016-43	Term. Back	1	2 1/8	1 3/4	3 3/8	4	9/32	3 3/8	5/8
2	6	W	50	600	Pin Size	Short Male Shroud	8024-6	8024-7	8024-5	8024-4	24"	1 1/4	1 3/4	2 5/8	5 1/4	5 7/8	8024-14	8024-15	Term. Back	1 1/4	2 5/8	2	4 1/8	5	3/8	4 3/4	1 7/16
2	6	W	50	600	Not Pol.	Short Male Shroud	8017-17 8017-143	8017-18 X8017-144	8017-8 8017-142	8017-3 8017-145	24" 10"	1 1/8	1 1/2	2 1/2	4 7/16	4 7/8	8017-27	8017-28	Term. Back	1 1/8	2 1/2	1 3/4	3 7/8	4 5/8	9/32	3 7/8	1 11/16
2	2	W	95	600	Pin Size	Short Male Shroud	8026-26 8026-93	8026-45 8026-95	8026-45 8026-97	8026-2 8026-99	24" 10"	1 3/8	1 7/8	2 7/8	5 1/4	6 1/4	8026-19	8026-20	Term. Back	1 5/8	3 1/8	2 3/8	5	6	3/8	5 7/16	1 3/8
2	2	PD	95	600	Pin Size	Short Male Shroud	8026-11	8026-10	8026-1	8025-43	24"	1 3/8	1 7/8	2 7/8	5 1/4	6 1/4	8026-19	8026-20	Term. Back	1 5/8	3 1/8	2 3/8	5	6	3/8	5 7/16	1 3/8
2	2	W	95	600	Not Pol.	Short Male Shroud	8018-9	8018-10	8018-19 8018-117	8018-20 8018-119	24" 6"	1 1/4	1 3/4	2 5/8	5 1/8	5 7/8	8018-31	8018-32	Term. Back	1 1/4	2 5/8	2	4 1/8	5	3/8	4 3/4	1 3/4
2	2	W	95	600	Not Pol.	Short Male Shroud	8019-2	8019-13	8019-16 8019-96	8019-3 8019-98	24" 6"	1 3/8	1 7/8	2 7/8	5 1/4	6 1/4	8019-27	8019-28	Term. Back	1 5/8	3 1/8	2 3/8	5	6	3/8	5 7/16	1 3/8
2	2	PD	95	600	Not Pol.	Short Male Shroud	8019-14	8019-15	8019-53	8019-51	24"	1 3/8	1 7/8	2 7/8	5 1/4	6 1/4	8019-27	8019-28	Term. Back	1 5/8	3 1/8	2 3/8	5	6	3/8	5 7/16	1 3/8

**These are connector ratings only.
Operating ratings must be based on cable capacity.**

Oval Connectors THREE POLE



DATA

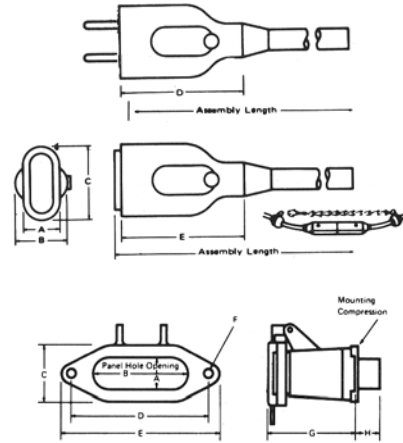
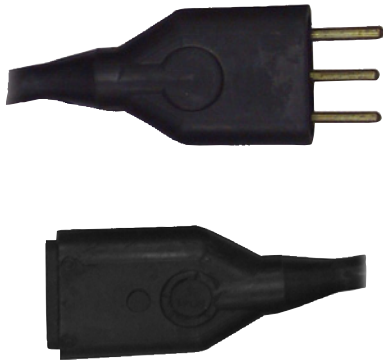
PLUG

RECEPTACLE

No. of Cont.	ELECTRICAL DATA				Description		PART NUMBERS				Assembly Length	DIMENSIONS (Approximate Inches)					PART NUMBERS		DIMENSIONS (Approximate Inches)									
	Cable		Max. Cable Rating	Polarized By	Type of Seal	Without Safety Chain		With Safety Chain		With Covers																		
	AWG	TYPE				AMP	VOLTS	Male	Female	Male		Female	Male	Female	Male	Female	A	B	C	D	E	F	G	H				
3	14	SO	15	600	Pin Size	Short Male Shroud	8041-2	8041-3	8041-11 8041-164	8041-12 8041-166	16" 6"	7/8	1 1/8	2 1/8	2 13/16	3 1/8	8041-56	8041-55	Term. Back	1	2 1/8	1 3/4	3 3/8	4	9/32	3 3/8	5/16	
3	14	SO	15	600	Not Pol.	Short Male Shroud	8036-5 8036-109	8026-13 8036-111			16" 6"	7/8	1 1/8	2 1/8	2 13/16	3 1/8	8036-38	8036-37	Term. Back	1	2 1/8	1 3/4	3 3/8	4	9/32	3 3/8	5/8	
3	12	SO	20	600	Pin Size	Short Male Shroud	8042-3 8042-82	8042-5 8042-83	8042-95	8042-96	16" 6"	1	1 3/8	2 3/4	4	4 3/8	8042-8	8042-25	Term. Back	1	2 3/4	1 5/8	4	4 5/8	9/32	3 3/16	13/16	
3	12	SO	20	600	Pin Size	Full Male Shroud	8053-20	8053-21	8053-14	8053-12	16"	1 3/8	1 3/8	2 7/8	4 5/16	2 3/8												
3	10	SO	25	600	Pin Size	Short Male Shroud	8043-2 8043-116	8043-1 8043-127	8043-12	8043-11	16" 6"	1	1 3/8	2 3/4	4	4 3/8	8043-50	8043-10	Term. Back	1	2 3/4	1 5/8	4	4 5/8	9/32	3 3/16	9/16	
3	10	SO	25	600	Not Pol.	Short Male Shroud	8037-12	8037-7	8037-94	8037-96	16" 10'	1	1 3/8	2 3/4	4	4 3/8	8037-25	8037-26	Term. Back	1	2 3/4	1 5/8	4	4 5/8	9/32	3 5/16	3/4	
3	8	W	35	600	Pin Size	Short Male Shroud	8044-10	8044-16	8044-12	8044-13	16" 10'	1 1/8	1 1/2	3 1/8	4 5/8	5 1/8	8044-28	8044-29	Term. Back	1 1/8	3 1/4	1 3/4	4 1/2	5 1/4	3/8	4 1/8	1 3/8	
3	6	W	50	600	Pin Size	Short Male Shroud	8045-2 8045-103	8045-3 8045-100	8045-8 8045-104	8045-9 8045-106	24" 10'	1 1/4	1 5/8	3 1/2	5 3/8	6 1/2	8045-30	8045-10	Term. Back	1 1/4	3 1/2	2	5 1/4	6 1/4	3/8	5 3/8	1 3/8	
3	6	W	50	600	Not Pol.	Short Male Shroud	8038-7	8038-6	8038-4	8038-5	24"	1 1/8	1 1/2	3 1/8	4 5/8	5 1/8	8038-24	8038-25	Term. Back	1 1/8	3 1/4	1 3/4	4 1/2	5 1/4	3/8	4 1/8	1 3/8	

These are connector ratings only.
Operating ratings must be based on cable capacity.

Oval Connectors FOUR POLE



DATA

PLUG

RECEPTACLE

No. of Cont.	ELECTRICAL DATA				Description		PART NUMBERS				Assembly Length	DIMENSIONS (Approximate Inches)					PART NUMBERS		DIMENSIONS (Approximate Inches)									
	Cable AWG	Cable TYPE	Max. Cable Rating AMP	Max. Cable Rating VOLTS	Polarized By Arrangement	Type of Seal	Without Safety Chain		With Safety Chain			With Covers		DIMENSIONS (Approximate Inches)														
							Male	Female	Male	Female		Male	Female	A	B	C	D	E	F	G	H							
4	14	SO	12	600	Pin Arrangement	Short Female Shroud	8059-11	8059-15	8059-56 8059-114	8059-51 8059-116	16" 10'	1	1 1/4	2 3/4	3 11/16	4 7/16	8059-25	8059-25	Term. Back	1	2 3/4	1 5/8	4	4 5/8	9/32	2 7/8	5/8	
4	14	SO	12	600	Pin Size	Full Male Shroud	8064-4	8064-1	8064-5	8064-2	30"	1 5/8	1 5/8	3 1/4	5 3/8	3 5/16												
4	10	SO	20	600	Pin Size	Short Male Shroud	8060-15	8060-2	8060-22 8060-197	8060-26 8060-199	24" 10'	1 1/8	1 5/8	3 3/4	5	5 1/2	8060-31	8060-33	Term. Back	1 1/8	3 3/4	2	5 1/4	6	9/32	3 5/16	13/16	
4	10	SO	20	600	Grnd Pin Rev.	Short Male Shroud	8401-6	8401-5			30"	1 1/8	1 5/8	3 3/4	4 13/16	5 3/4												
4	8	W	30	600	Pin Size	Short Male Shroud	8061-2	8061-3	8061-17 8061-120	8061-20 8061-122	24" 10'	1 1/8	1 5/8	3 3/4	4 9/16	6	8061-39	8061-10	Term. Back	1 1/4	3 7/8	2	5 1/4	6	9/32	3 5/16	13/16	
4	8	W	30	600	Pin Size	Full Male Shroud	8065-1	8065-2			30"	1 5/8	1 7/8	4 1/16	6 1/2	5 9/16												
4	8	W	30	600	Grnd Pin Rev.	Short Male Shroud	8364-6	8364-3	8364-8	8364-5	30"	1 1/8	1 5/8	3 3/4	5 3/8	5 1/8				26"	1 1/4	3 7/8	2	5 1/4	6	9/32	2 13/16	3/8
4	6	W	40	600	Pin Size	Short Male Shroud	8062-8 8062-116 8062-117	8062-24 8062-118 8062-119	8062-6 8062-113 8062-120	8062-18 8062-121 8062-122	30" 6' 10'	1 1/4	1 5/8	4 1/4	5 3/8	6 1/2	8062-33	8062-27	Term. Back	1 1/2	4 1/2	2 1/8	6 1/4	7 1/4	3/8	5 1/16	1 1/4	
4	2	W	75	600	Pin Size	Short Male Shroud	8063-28	8063-27	8063-39 8063-140	8063-6 8063-142	30" 10'	1 1/2	2	4 7/8	6 7/8	7 1/8	8063-62	8063-46	Term. Back	1 1/2	4 7/8	2 3/8	6 7/8	7 7/8	3/8	5	3	
4	2	W	75	600	Pin Size	Full Male Shroud	8066-1	8066-2			30"	1 13/16	1 7/8	4 13/16	7 1/2	5												
4	1	W	85	600	Pin Size	Full Male Shroud	8067-1	8067-2			45"	2	2 1/4	5 1/2	8 1/2	6 3/16												

These are connector ratings only.
Operating ratings must be based on cable capacity.